

## Component Parts:

### Contents:

1. One (1) Basket with Lid (Green)
2. One (1) Nesting Box

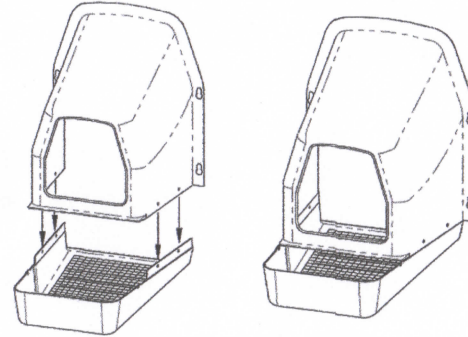
### Hardware Package:

- Bolt (4)
- Plastic Nut (4)
- Screw (4)
- Nylon Screw Anchor (4)

### Tools Needed:

- Phillips Screwdriver

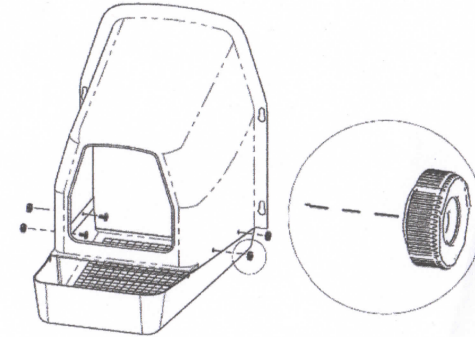
## Assembly & Installation Instructions:



**FIGURE 1**

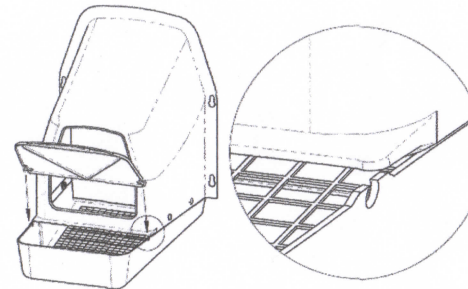
Remove lid from basket.

- Align holes of the basket and nesting box as shown.



**FIGURE 2**

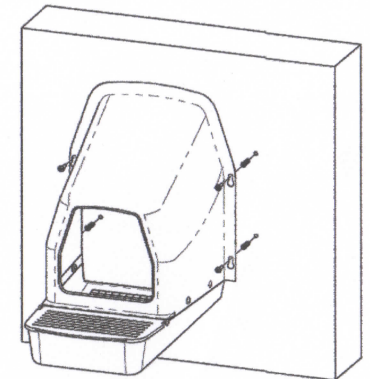
Use bolts and plastic nuts to attach nesting box to basket.



**FIGURE 3**

Attach lid to basket as shown.

Press down until the lid snaps into the grooved indents in the basket.



**FIGURE 4**

Use nesting box as template to mark and drill holes in the wall. Insert plastic screw anchor into each hole. Use screws to attach the nesting box to the wall.